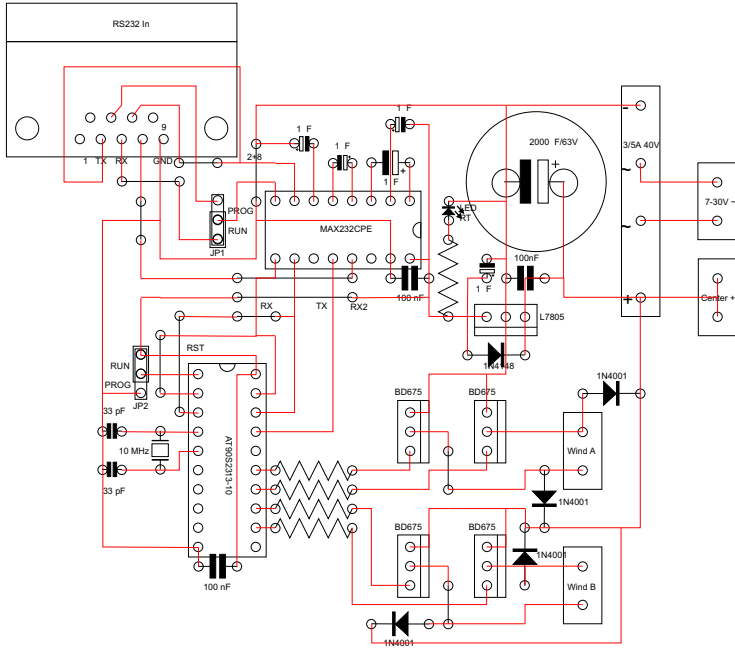
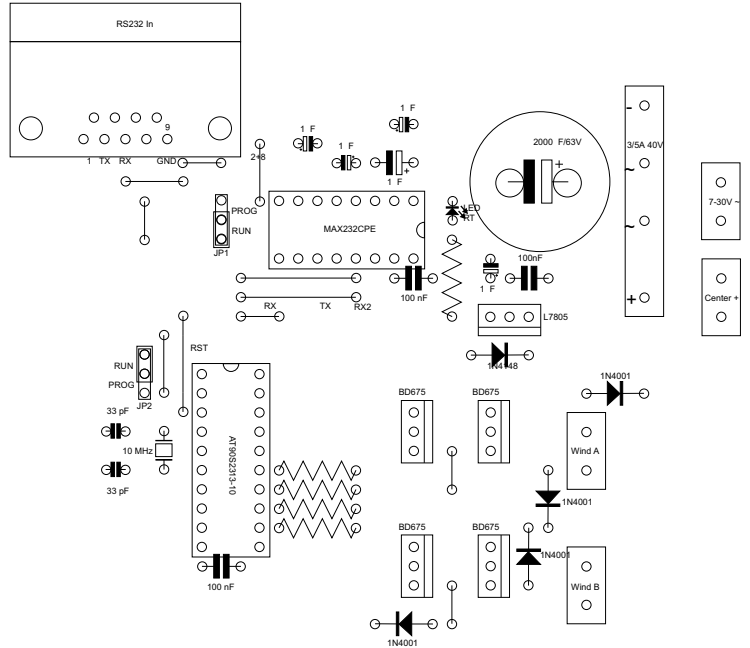


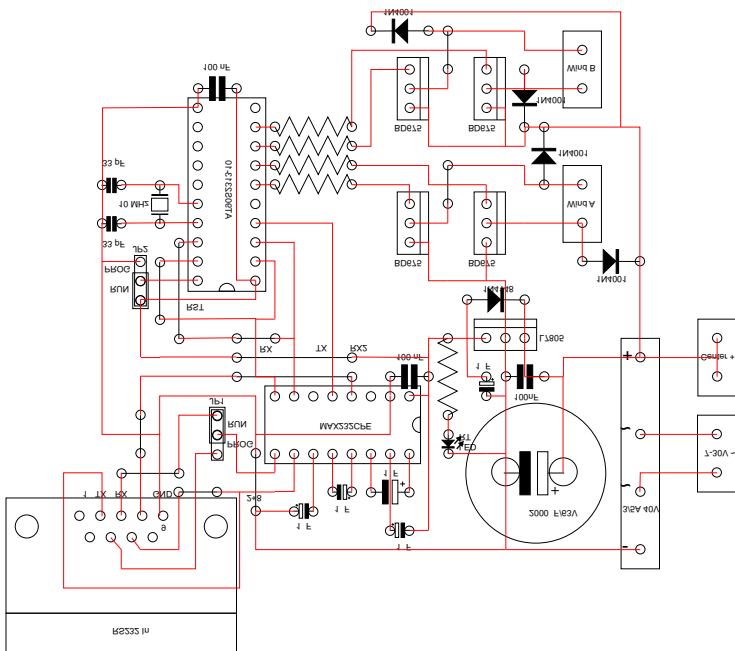
Top view, devices with circuit paths



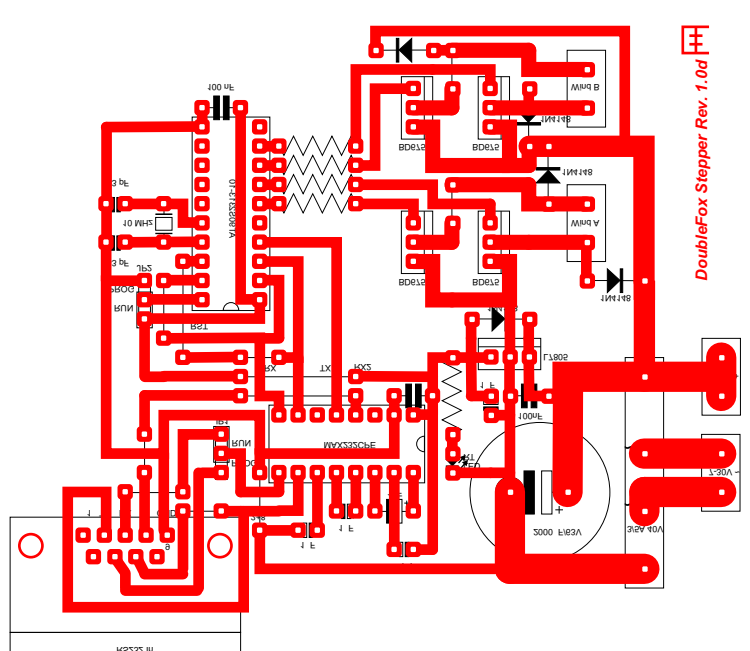
Top view, devices only



Bottom view, devices with circuit paths



Bottom view, devices with circuit paths and soldering pads



DoubleFox Stepper Rev. 1.0d

For programming the controller, you need Vimms for Linux (vfl), the Vimms AVR programmer, and the microcontroller program in Intel Hex format. All can be downloaded at <http://www.vimms.org>.

Good Luck!

Frank Hitzel  
fhitzel@hitzel.com

Etch layout

